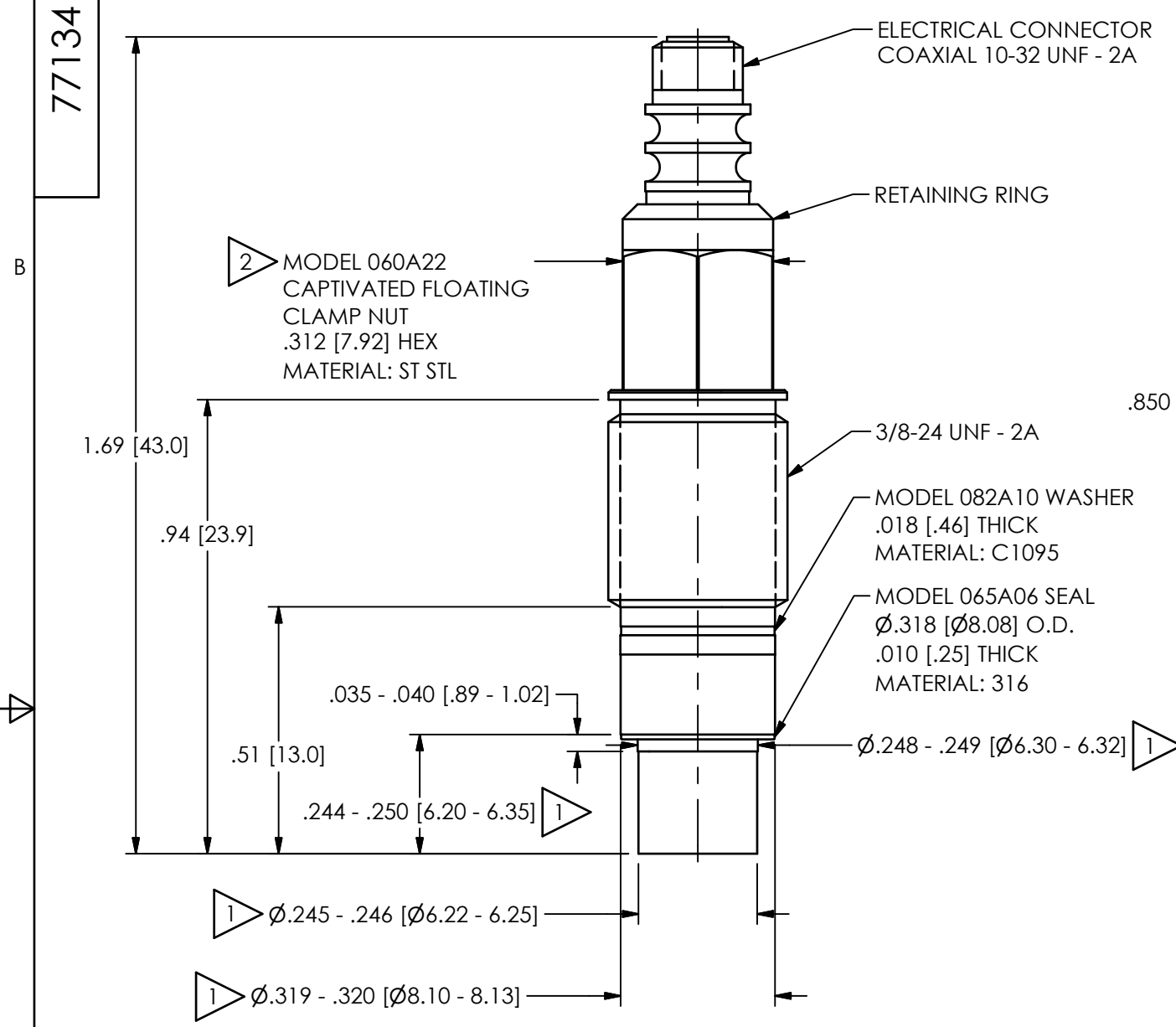


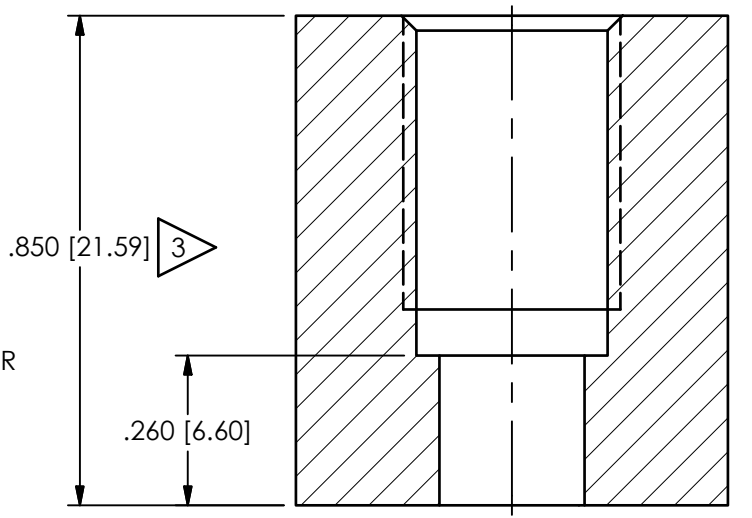
PCB Piezotronics Inc. claims proprietary rights in the information disclosed hereon. Neither it nor any reproduction thereof will be disclosed to others without the written consent of PCB Piezotronics Inc.

77134

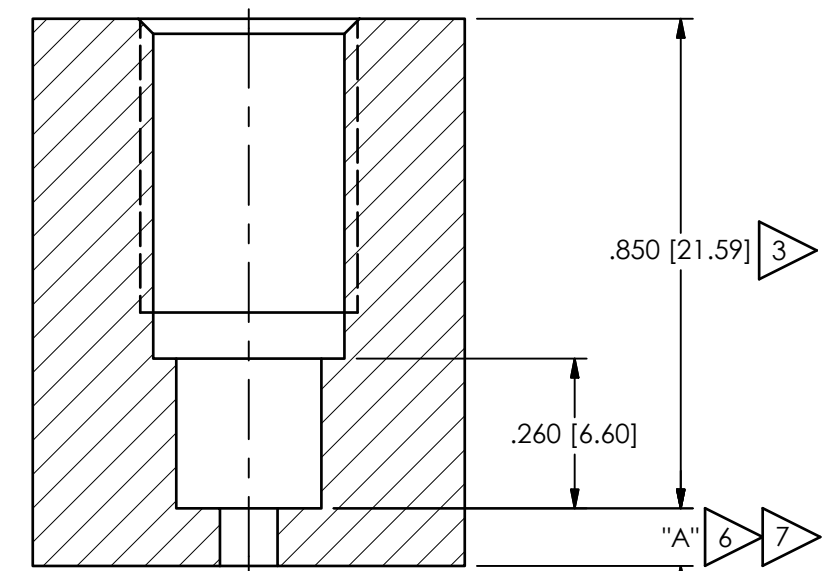
REVISIONS		
REV	DESCRIPTION	DIN
NR	RELEASED TO DRAFTING	53262



FLUSH INSTALLATION



RECESSED INSTALLATION



- MOUNTING HOLE DIMENSIONS**
- 3 5 Ø.252± .001 [Ø6.40± .03] THRU
 - 4 5 LØ.332± .001 [LØ8.43± .03] TO DEPTH SHOWN
 - 8 3/8-24 UNF-2B ∇.510 [12.95]

- MOUNTING HOLE DIMENSIONS**
- 3 5 LØ.252± .001 [LØ6.40± .03] ∇.850 [21.59]
 - 4 5 LØ.332± .001 [LØ8.43± .03] TO DEPTH SHOWN
 - 8 3/8-24 UNF-2B ∇.510 [12.95]

- 8 CAUTION: DO NOT TOUCH SEAL SURFACE WITH TAP WHEN TAPPING HOLE
- 7 DIMENSIONS "A" & "B" TO SUIT USER REQUIREMENTS
- 6 KEEP DIMENSION "A" AS SHORT AS POSSIBLE, SEE OPERATING GUIDE FOR OPTIMUM PASSAGE LENGTH
- 5 THESE DIAMETERS TO BE CONCENTRIC TO WITHIN .001 [.03] TIR
- 4 SEAL SURFACE SHOULD BE FLAT & FREE OF TOOL MARKS WITH A MINIMUM FINISH OF 63 [1.6] FOR BEST RESULTS
- 3 DIMENSIONS SHOWN ARE FOR A .850 [21.59] THICK WALL. COUNTERBORE FOR THICKER WALLS
- 2 RECOMMENDED MOUNTING TORQUE ON .312 [7.92] HEX: 27-32 FT-LB [37-43 N-m]
- 1 MATERIAL: C-300 MARAGING STEEL

UNLESS OTHERWISE SPECIFIED TOLERANCES ARE:		DRAWN		CHECKED		ENGINEER	
DIMENSIONS IN INCHES DECIMALS XX ±.01 XXX ±.005 ANGLES ± 2 DEGREES	DIMENSIONS IN MILLIMETERS [IN BRACKETS] DECIMALS X ± 0.3 XX ± 0.13 ANGLES ± 2 DEGREES	NJF	10/21/22	JDM	10/21/22	NJL	10/21/22
CABLE TOLERANCES IN ENGLISH 1"≤ LENGTH < 1' = +1' / - 0 1'≤ LENGTH < 5' = +2' / - 0 5'≤ LENGTH < 100' = +6' / - 0 100'≤ LENGTH = +1' / - 0	CABLE TOLERANCES IN METRIC 2.54cm ≤ LENGTH < 30.5cm = +2.54cm / - 0 30.5cm ≤ LENGTH < 1.5m = +5.1cm / - 0 1.5m ≤ LENGTH < 30.5m = +15.2cm / - 0 30.5m ≤ LENGTH = +30.5cm / - 0	TITLE					
FILLETS AND RADII .003 - .005	FILLETS AND RADII 0.07 - 0.13	INSTALLATION DRAWING MODEL 119 SERIES PRESSURE SENSOR					
		CODE IDENT. NO. 52681		DWG. NO. 77134		SCALE: 3X SHEET 1 OF 1	

PCB PIEZOTRONICS
AN AMPHENOL COMPANY

3425 WALDEN AVE. DEPEW, NY 14043
(716) 684-0001 E-MAIL: sales@pcb.com