

28602

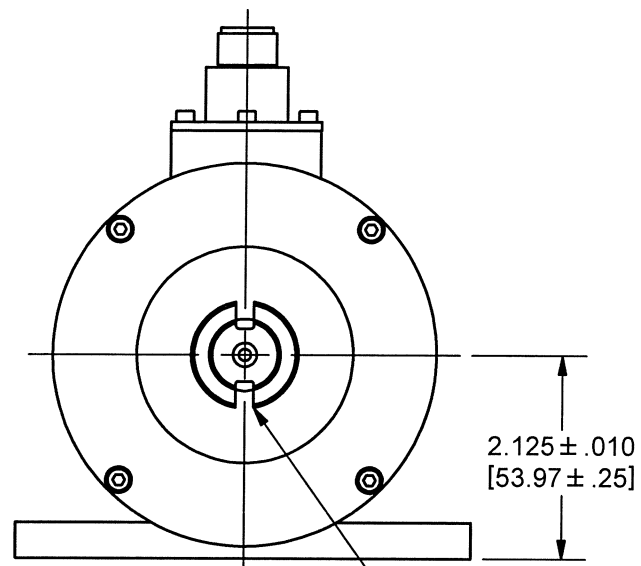
APPLICATION

NEXT ASSY	USED ON	VAR

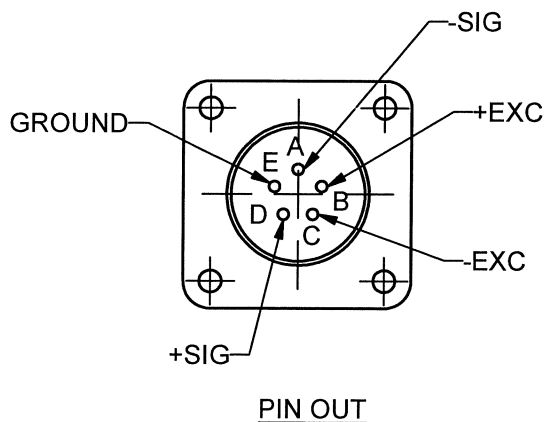
PCB Piezotronics Inc. claims proprietary rights in the information disclosed hereon. Neither it nor any reproduction thereof will be disclosed to others without the written consent of PCB Piezotronics Inc.

REVISIONS

REV	DESCRIPTION	ECN	APP'D
NR	RELEASED TO DRAFTING		DM 12/07

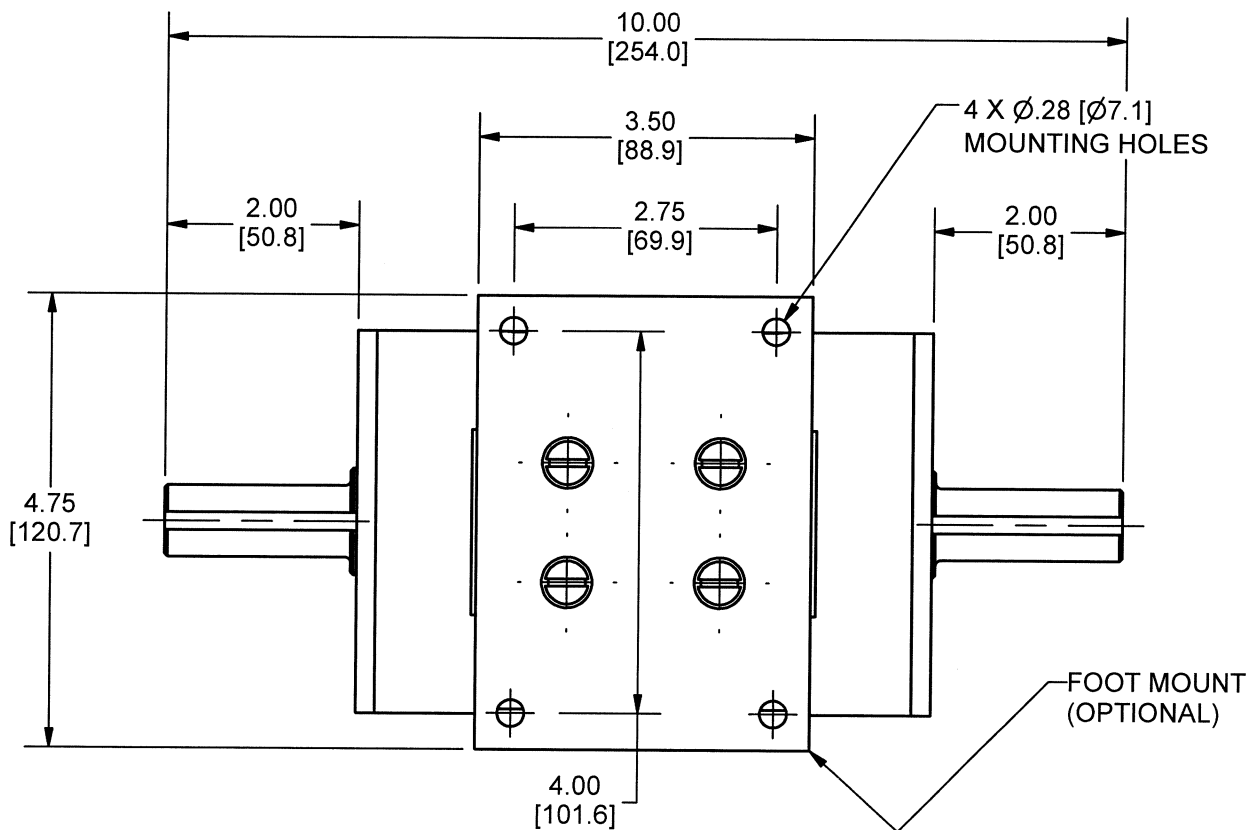
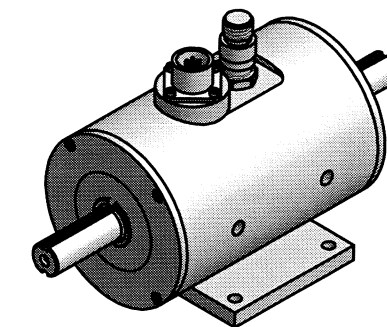
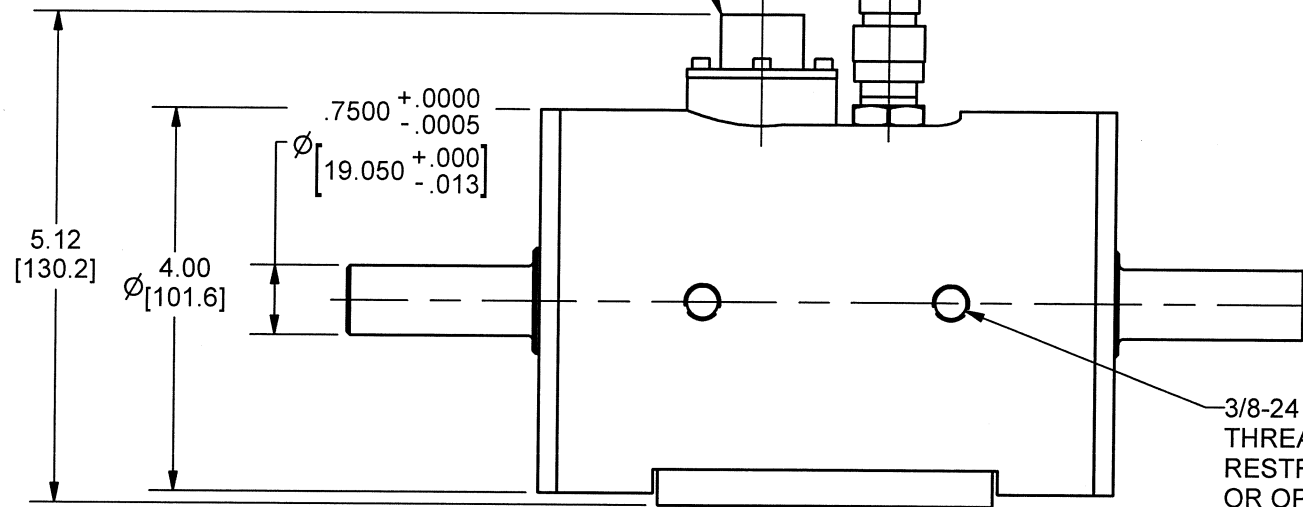


.188 [4.76] SQUARE KEY WAY TYP BOTH ENDS



PIN OUT

5 PIN ELECTRICAL CONNECTOR (MS-3102E-14S-5P)
SPEED SENSOR (OPTIONAL)



UNLESS OTHERWISE SPECIFIED TOLERANCES ARE:

DIMENSIONS IN INCHES	DIMENSIONS IN MILLIMETERS [IN BRACKETS]
DECIMALS XX ± .03	DECIMALS X ± 0.8
XXX ± .010	XX ± 0.25
ANGLES ± 2 DEGREES	ANGLES ± 2 DEGREES
FILLETS AND RADII .003 - .005	FILLETS AND RADII [0.07 - 0.13]

DRAWN	DM	12/8/07	MFG	VB	12/9/07
CHK'D	DM	12/9/07	ENGR	MGK	12/9/07
APP'D	DM	12/9/07	SALES	SPM	12/8/07

TITLE
OUTLINE DRAWING
MODEL 4103 SERIES
ROTARY TORQUE SENSOR

PCB PIEZOTRONICS
3425 WALDEN AVE. DEPEW, NY 14043
(716) 684-0001 E-MAIL: sales@pcb.com

CODE IDENT. NO. 52681
DWG. NO. 28602

SCALE: 1/2 SHEET 1 OF 1