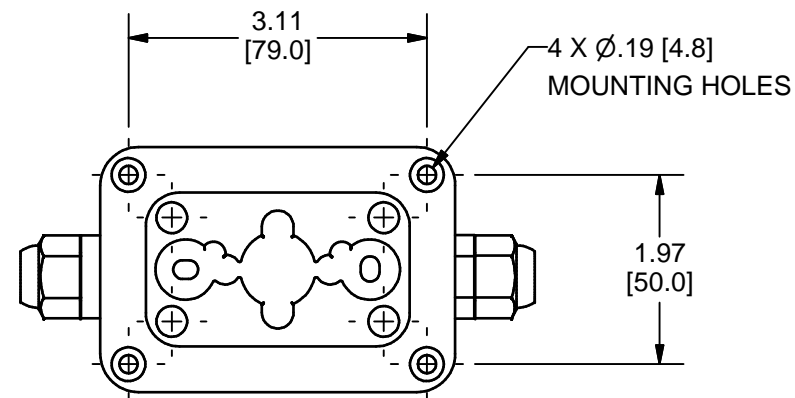
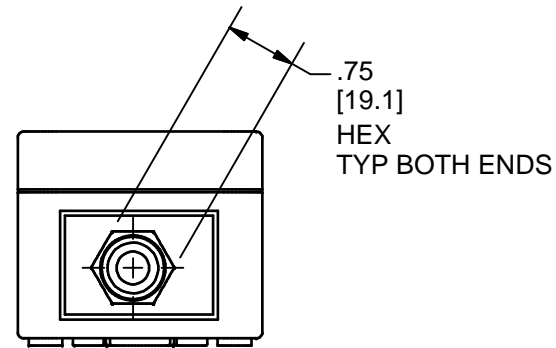
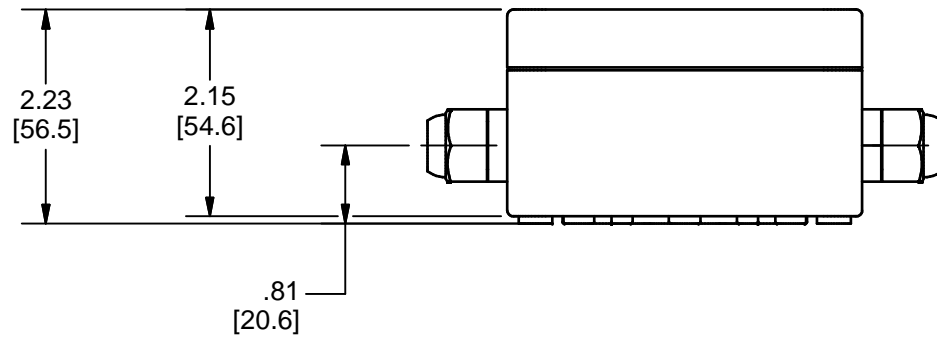
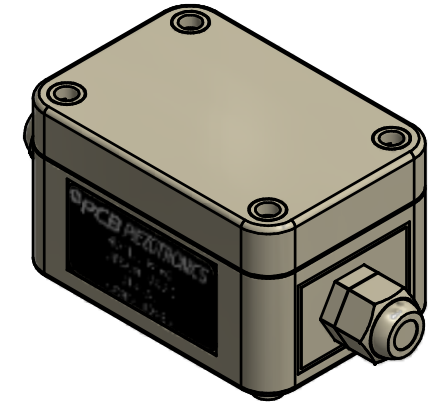
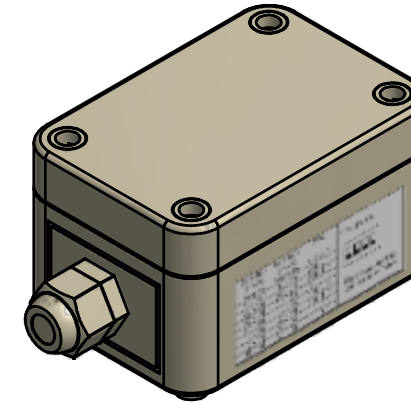
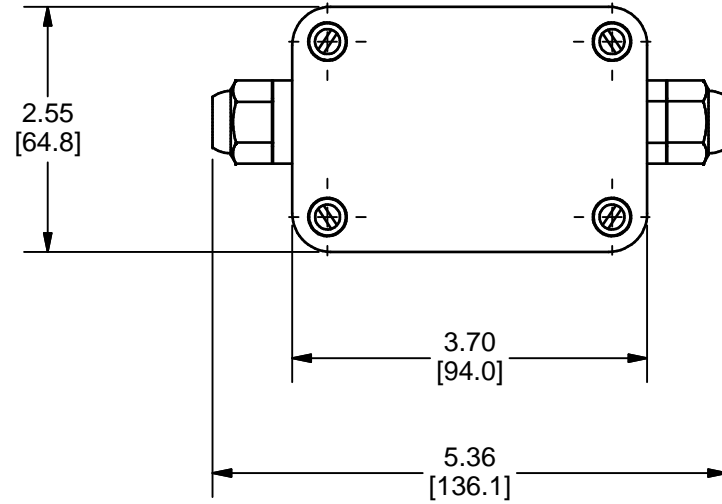



PCB Load & Torque Inc. claims proprietary rights in the information disclosed hereon. Neither it nor any reproduction thereof will be disclosed to others without the written consent of PCB Load and Torque Inc.

27193

REVISIONS

REV	DESCRIPTION	ECO
A	UPDATED TO PCB L&T - 05.24.13, PTE	41446



UNLESS OTHERWISE SPECIFIED TOLERANCES ARE:		DRAWN		CHECKED		ENGINEER		 24350 Indoplex Circle, Farmington Hills, MI 48335 (716) 684-0001 E-MAIL: linfo@pcbloadtorque.com	
DIMENSIONS IN INCHES	DIMENSIONS IN MILLIMETERS [IN BRACKETS]	PTE	05.24.13	SAC	05.24.13	SAC	05.24.13		
DECIMALS XX ±.01 XXX ±.005	DECIMALS X ±.3 XX ±.13	TITLE OUTLINE DRAWING MODEL 8162 SIGNAL CONDITIONER							DWG. NO. 27193
ANGLES ±.5 DEGREES	ANGLES ±.5 DEGREES								SCALE: FULL
FILLETS AND RADII .015 MAX	FILLETS AND RADII 0.38 MAX								