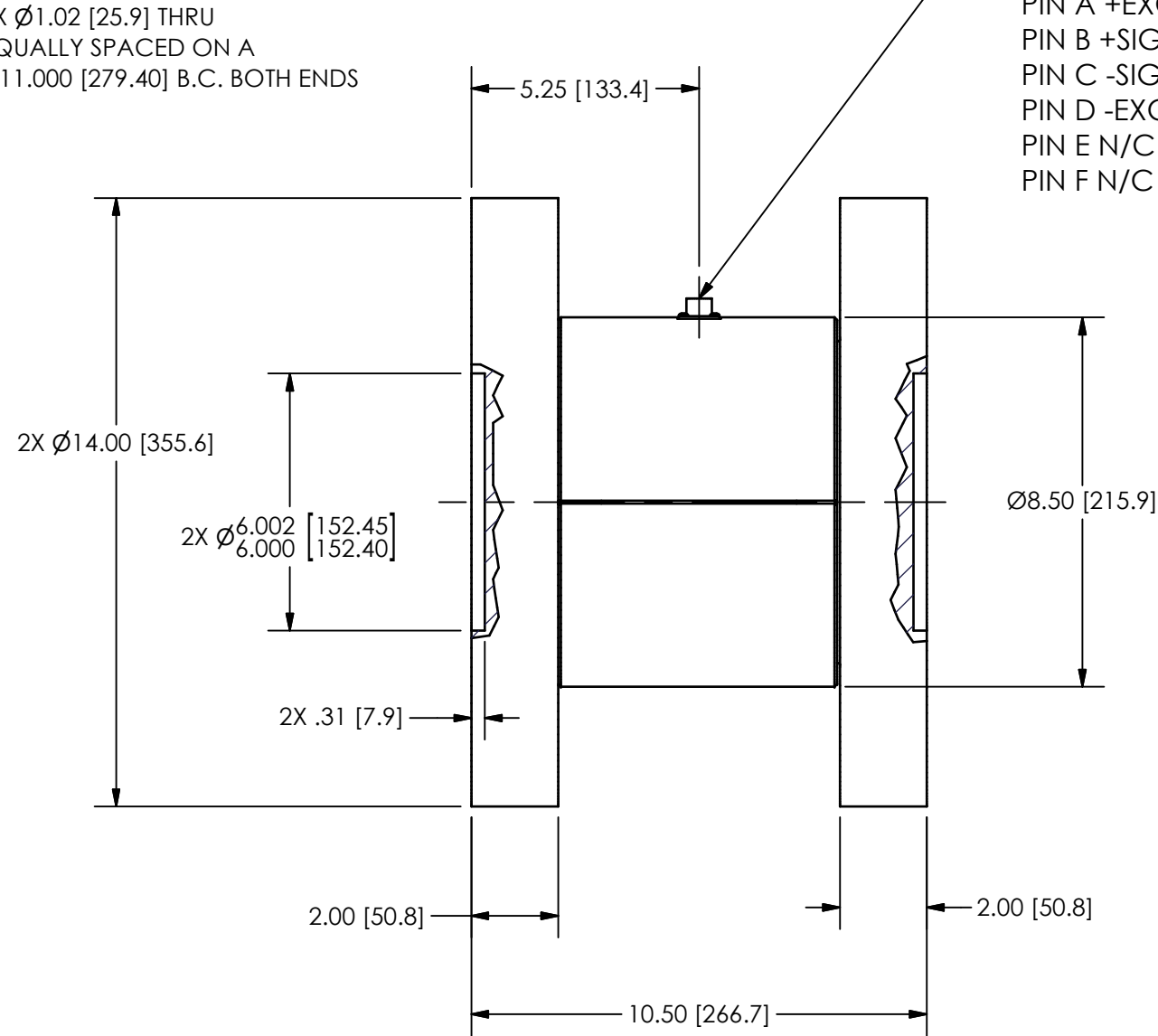
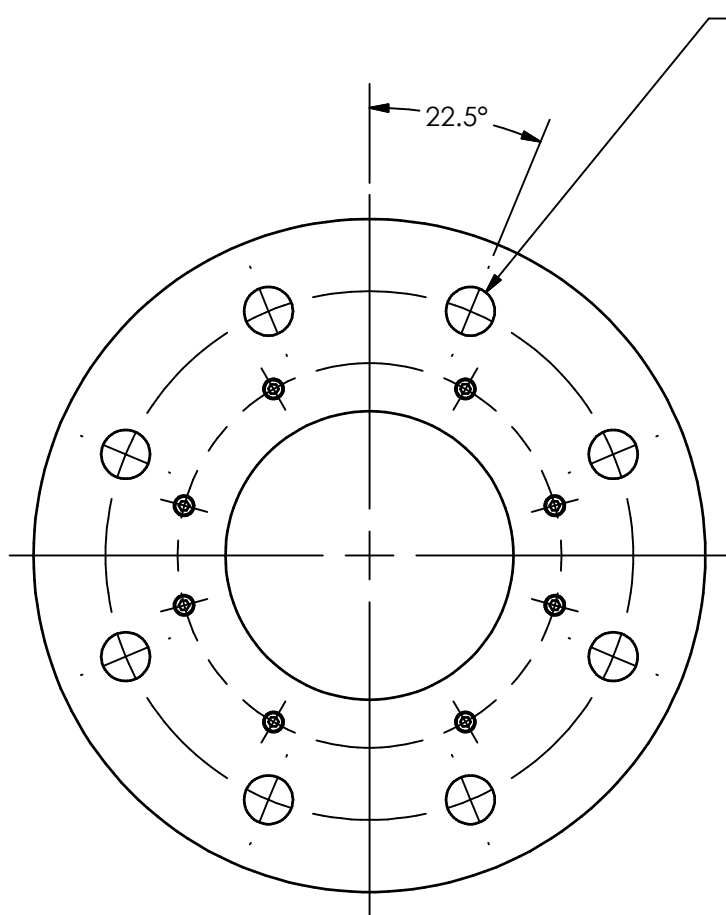


PCB Load & Torque Inc. claims proprietary rights in the information disclosed hereon. Neither it nor any reproduction thereof will be disclosed to others without the written consent of PCB Load and Torque Inc.

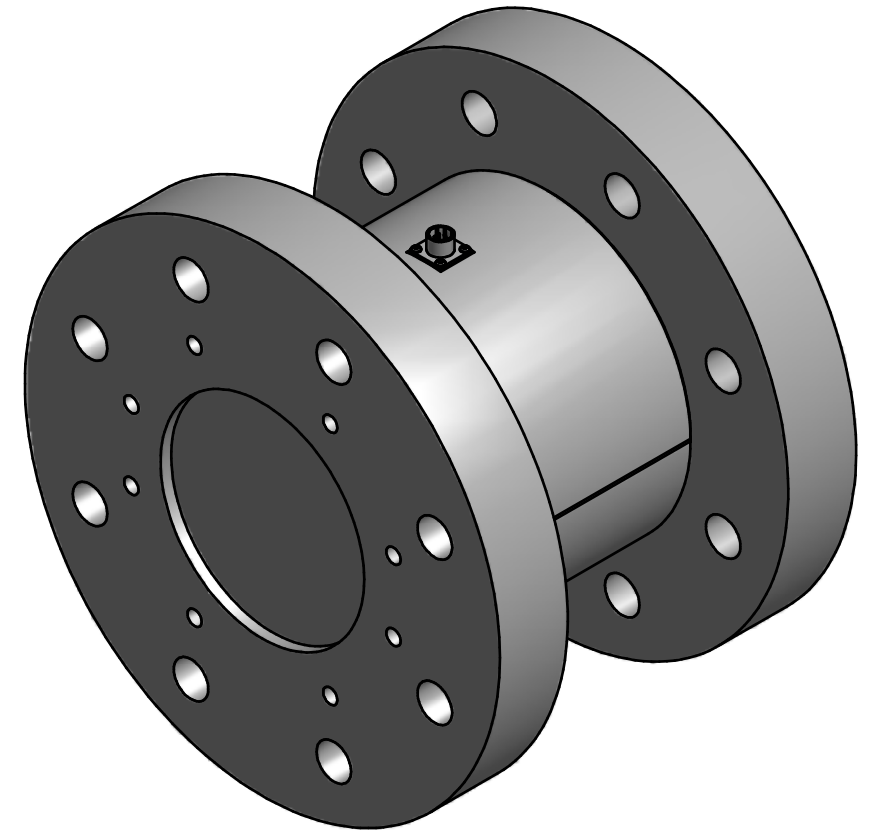
26443

REVISIONS

REV	DESCRIPTION	ECO
B	UPDATED DIM'S, REMOVED PIN OUT VIEW - 02.23.18, PTE	47634



PUSH/TURN RECEPTACLE  
(BENDIX PT02E-10-6P OR EQUIV.)  
WIRING CODE (WR):  
PIN A +EXC.  
PIN B +SIG.  
PIN C -SIG.  
PIN D -EXC.  
PIN E N/C  
PIN F N/C



UNLESS OTHERWISE SPECIFIED TOLERANCES ARE:		DRAWN	CHECKED	ENGINEER		 24350 Indoplex Circle, Farmington Hills, MI 48335 (716) 684-0001 E-MAIL: linfo@pcbloadtorque.com
DIMENSIONS IN INCHES	DIMENSIONS IN MILLIMETERS [IN BRACKETS]			PTE	01.19.12	
DECIMALS XX ±.01 XXX ±.005	DECIMALS X ±.3 XX ±.13	TITLE OUTLINE DRAWING MODEL 2305-XXA SERIES REACTION TORQUE SENSOR				DWG. NO. <b>26443</b>
ANGLES ±.5 DEGREES	ANGLES ±.5 DEGREES					SCALE: 1/4
FILLETS AND RADII .015 MAX	FILLETS AND RADII 0.38 MAX					