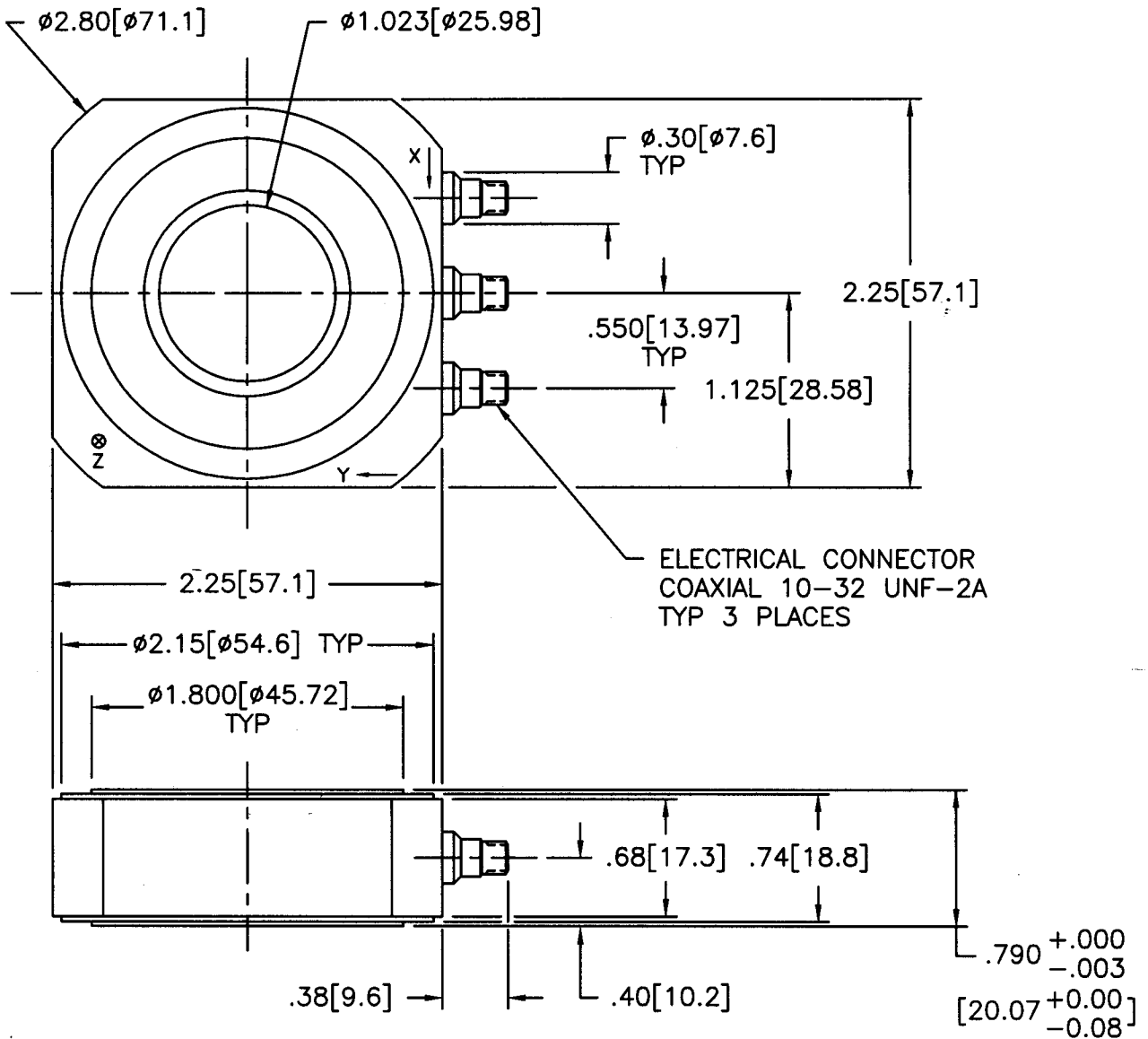


23004

PCB Piezotronics Inc. claims proprietary rights in the information disclosed hereon. Neither it nor any reproduction thereof will be disclosed to others without written consent of PCB Piezotronics Inc.

APPLICATION		
NEXT ASS'Y	USED ON	VAR

REVISIONS				
REV	DESCRIPTION	ECN	DATE	APP'D
NR	RELEASED TO DRAFTING		5/27/03	<i>mm/5/4</i>



1.) SEE SHEETS 2 AND 3 FOR STANDARD AND METRIC MOUNTING INSTRUCTIONS.

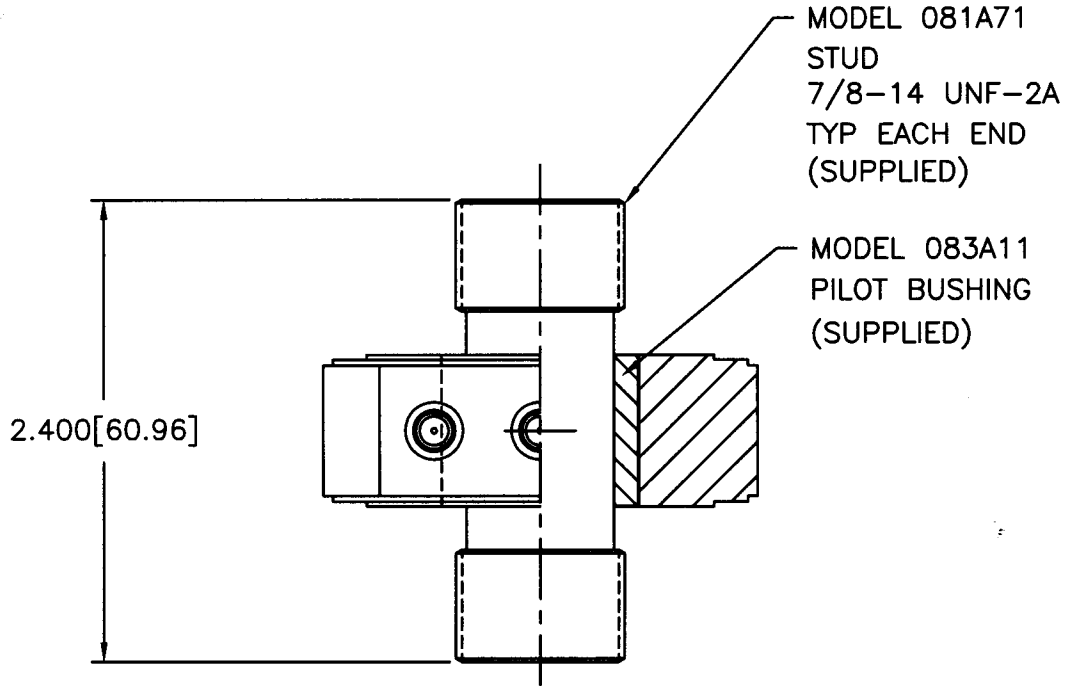
UNLESS SPECIFIED TOLERANCES		DRAWN				MFG		PCB PIEZOTRONICS™	
DIMENSIONS IN INCHES	DIMENSIONS IN MILLIMETERS	<i>DM</i>	<i>S/25/03</i>	<i>MS</i>	<i>6/6/03</i>	3425 WALDEN AVE. DEPEW, NY 14043			
DECIMALS XX ±.01	[IN BRACKETS]	CHK'D	<i>DM</i>	ENGR	<i>ms</i>	(716) 684-0001 EMAIL: SALES@PCB.COM			
XXX ±.005	DECIMALS X ±0.3	APP'D	<i>msk</i>	SALES	<i>ms</i>	CODE IDENT. NO. 52681			
ANGLES ±2 DEGREES	XX ±0.13	TITLE	<i>S/25/03</i>		<i>6/6/03</i>	DWG. NO. 23004			
FILLETS AND RADII	ANGLES ±2 DEGREES	INSTALLATION DRAWING				SCALE: FULL			
.003 - .005	FILLETS AND RADII	MODEL (M)260A33				SHEET 1 OF 3			
	[0.07 - 0.13]	TRIAxIAL FORCE SENSOR							
DD011 REV. C 01/21/03									

23004

PCB Piezotronics Inc. claims proprietary rights in the information disclosed herein. Neither it nor any reproduction thereof will be disclosed to others without written consent of PCB Piezotronics Inc.

APPLICATION		
NEXT ASS'Y	USED ON	VAR

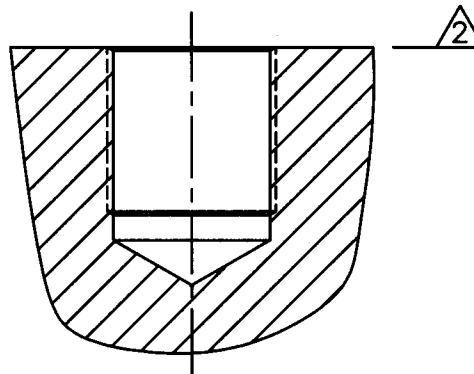
REVISIONS				
REV	DESCRIPTION	ECN	DATE	APP'D
	-SEE SHEET ONE-			DMG



TYP STUD MOUNTING
INSTALLATION

MOUNTING HOLE PREPARATION:

- Ø.812 [Ø20.62] $\triangle 3$
- X 1.000 [25.40] ∇
- TAP 7/8-14 UNF-2B
- X .850 [21.59] ∇
- PERFECT THREAD



4.) SEE MANUAL FOR PRELOAD INSTRUCTIONS.

$\triangle 3$ DRILL PERPENDICULAR TO MOUNTING SURFACE TO WITHIN $\pm .001$ ".

$\triangle 2$ MOUNTING SURFACE UNDER FORCE RING MUST BE FLAT WITHIN .001(0.03) TIR WITH A $32\sqrt{}$ [0.8/] FINISH.

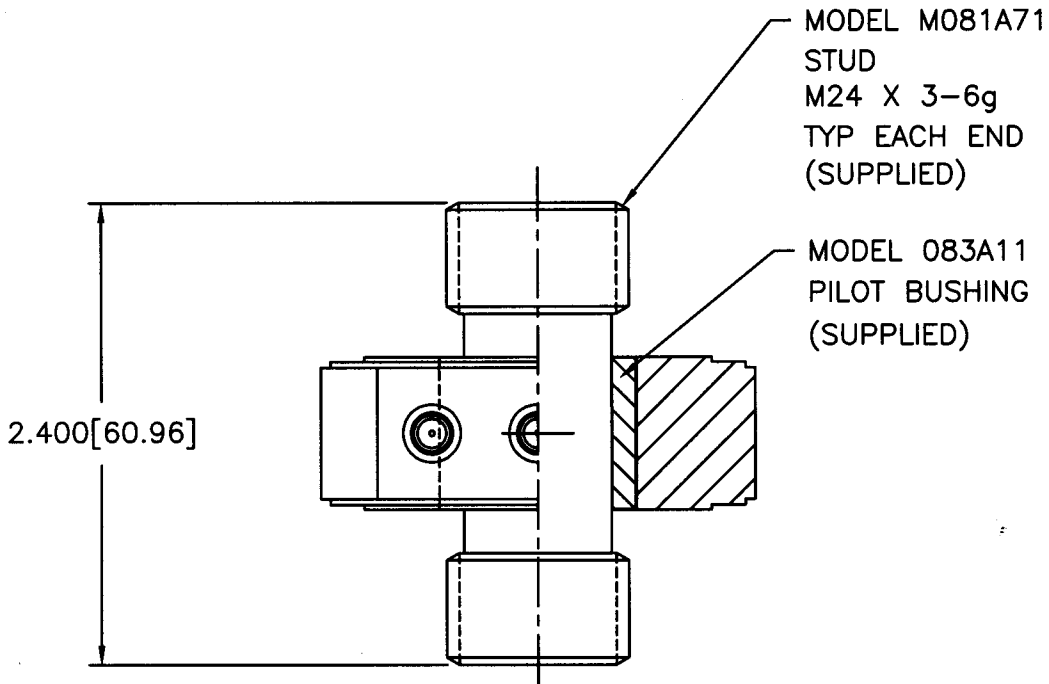
UNLESS SPECIFIED TOLERANCES		DRAWN	DATE	MFG	DATE	 3425 WALDEN AVE. DEPEW, NY 14043 (716) 684-0001 EMAIL: SALES@PCB.COM	
DIMENSIONS IN INCHES	DIMENSIONS IN MILLIMETERS [IN BRACKETS]	CHK'D	DATE	ENGR	DATE		
DECIMALS XX $\pm .01$ XXX $\pm .005$	DECIMALS X ± 0.3 XX ± 0.13	APP'D	DATE	SALES	DATE		
ANGLES ± 2 DEGREES	ANGLES ± 2 DEGREES	TITLE		CODE IDENT. NO.	DWG. NO.		
FILLETS AND RADII .003 - .005	FILLETS AND RADII [0.07 - 0.13]	INSTALLATION DRAWING MODEL 260A33 TRIAXIAL FORCE SENSOR				52681	23004
DD011 REV. C 01/21/03						SCALE: FULL	SHEET 2 OF 3

23004

PCB Piezotronics Inc. claims proprietary rights in the information disclosed herein. Neither it nor any reproduction thereof will be disclosed to others without written consent of PCB Piezotronics Inc.

APPLICATION		
NEXT ASS'Y	USED ON	VAR

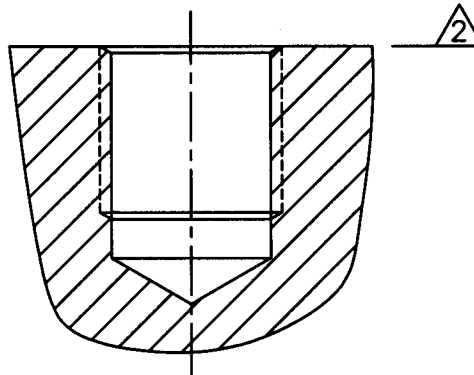
REVISIONS				
REV	DESCRIPTION	ECN	DATE	APP'D
	-SEE SHEET ONE-			
				AMB/02



TYP STUD MOUNTING
INSTALLATION

MOUNTING HOLE PREPARATION:

$\phi .827[\phi 21.00]$
 X $1.102[28.00] \nabla \triangle 3$
 TAP M24 X 3-6H
 X $.866[22.00] \nabla$
 PERFECT THREAD



4.) SEE MANUAL FOR PRELOAD INSTRUCTIONS.

$\triangle 3$ DRILL PERPENDICULAR TO MOUNTING SURFACE TO WITHIN $\pm 1^\circ$.

$\triangle 2$ MOUNTING SURFACE UNDER FORCE RING MUST BE FLAT WITHIN .001(0.03) TIR WITH A $32^\circ \sqrt{[0.8^\circ]}$ FINISH.

UNLESS SPECIFIED TOLERANCES		DRAWN	QDM	5/28/03	MFG	JMS	6/5/03	 3425 WALDEN AVE. DEPEW, NY 14043 (716) 684-0001 EMAIL: SALES@PCB.COM
DIMENSIONS IN INCHES	DIMENSIONS IN MILLIMETERS [IN BRACKETS]	CHK'D	QDM	6/2/03	ENGR	AMB	5/24/03	
DECIMALS XX ± 0.01 XXX ± 0.005	DECIMALS X ± 0.3 XX ± 0.13	APP'D	MJK	5/29/03	SALES			
ANGLES ± 2 DEGREES	ANGLES ± 2 DEGREES	TITLE						CODE
FILLETS AND RADII .003 - .005	FILLETS AND RADII [0.07 - 0.13]	INSTALLATION DRAWING MODEL M260A33 TRIAXIAL FORCE SENSOR						IDENT. NO. 52681
DD011 REV. C 01/21/03								DWG. NO. 23004
							SCALE: FULL	SHEET 3 OF 3